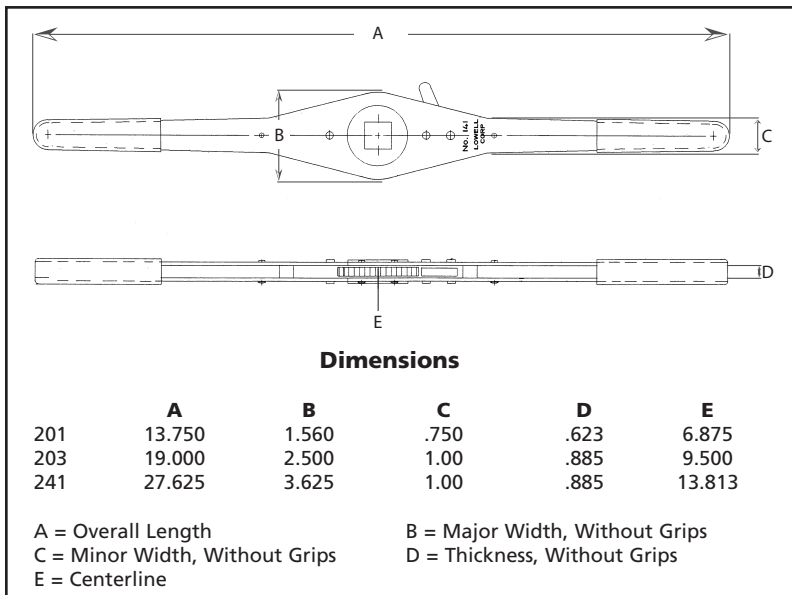


DOUBLE HANDLE RATCHET WRENCHES

LIGHT, DURABLE, AND ECONOMICAL.



- Custom Sizes Available
- Made in the USA



PART NUMBERS			
201 SERIES			
Inch	Number	mm	Number
3/8"	82936	10	M9210
1/2"	82937	13	M9213
5/8"	82938	16	M9216
7/16"	82957	11	M9311
1/2"	82958	13	M9313
9/16"	82959	14	M9314
5/8"	82960	16	M9316
		17	M9317
3/4"	82961	19	M9319
1/2"	82978	13	M9113
5/8"	82980	16	M9116
3/4"	82982	19	M9119
203 SERIES			
Inch	Number	mm	Number
1/2"	L3208	13	M9612
		14	M9613
5/8"	L3210	16	M9614
		16	M9616
11/16"	L3211	17	M9617
3/4"	L3212	19	M9619
13/16"	L3213	22	M9622
7/8"	L3214	25	M9625
1"	L3216	27	M9627
1-1/16"	L3217	28	M9628
1-1/8"	L3218		
3/4"	L3312	19	M9719
7/8"	L3314	22	M9722
1"	L3316	25	M9725
1-1/8"	L3318	28	M9728
1-1/16"	L3317		
1-1/4"	L3320	32	M9732
3/4"	L3112	19	M9519
1"	L3116	25	M9525
1-1/8"	L3118	28	M9528
1-1/4"	L3120	32	M9532
241 SERIES			
Inch	Number	mm	Number
3/4"	94212	19	M4219
7/8"	94214	22	M4222
1"	94216	25	M4225
1-1/16"	94217	27	M4227
1-1/8"	94218	28	M4228
1-3/16"	94219	30	M4230
1-1/4"	94220	32	M4232
1-3/8"	94222	34	M4234
1-7/16"	94223	36	M4236
1-1/2"	94224	38	M4238
7/8"	94314	22	M4322
1"	94316	25	M4325
1-1/16"	94317	27	M4327
1-1/8"	94318	28	M4328
		30	M4330
1-1/4"	94320	32	M4332
1-3/8"	94322	34	M4334
1-7/16"	94323	36	M4336
1-1/2"	94324	38	M4338
1-5/8"	94326	41	M4341
1-3/4"	94328	42	M4342
1-13/16"	94329	46	M4346
3/4"	94112	19	M4119
1"	94116	25	M4125
1-1/4"	94120	32	M4132
1-3/8"	94122	34	M4134
1-1/2"	94124	38	M4138
1-3/4"	94128	42	M4142

■ Square ● Hexagon ● Bore & Keyway