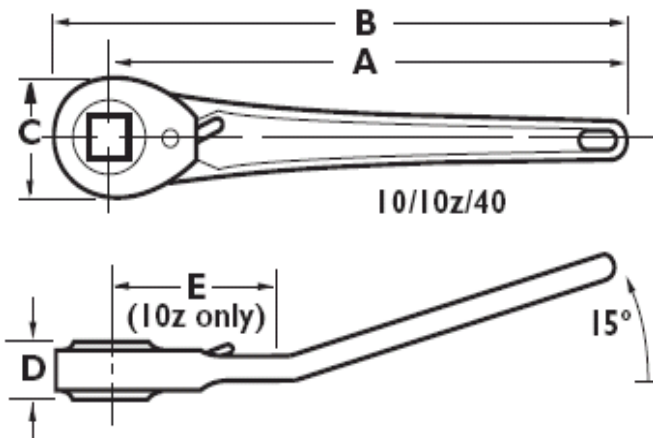


# LOWELL DESIGN GUIDE

## RATCHET ARMS

HANDLES		5/16"	3/8"	7/16"	1/2"	9/16"	19/32"	5/8"	11/16"	3/4"	13/16"	7/8"	1"	1-1/16"	1-1/8"	1-3/16"	1-1/4"	1-3/8"	1-7/16"	1-1/2"	1-5/8"	1-11/16"	1-3/4"	1-13/16"	1-7/8"	2"	2-1/8"	2-3/16"	2-1/4"	2-3/8"	2-1/2"	2-9/16"	2-5/8"	2-3/4"	2-7/8"	2-15/16"	3"	3-1/8"	3-1/4"	3-1/2"	3-3/4"	3-7/8"	4"	4-1/8"	4-1/4"	4-1/2"	4-5/8"							
Square openings																																																						
Hex openings																																																						
Bore with keyway openings																																																						



Lengths	6"	7"	8"	10"	12"	15"	18"	24"	36"	38"	42"	43"
	11	21	12	13	15	16	17	27	28	46	47	48
	11Z	101	12Z	13Z	15Z	16Z	17Z	41	42			
Models		201*	112	14	23	24	25	45	44			
				14Z	103	104	26					
				22	115	241*	105					
				114	203*							

\* 201, 203 & 241 are double handled units